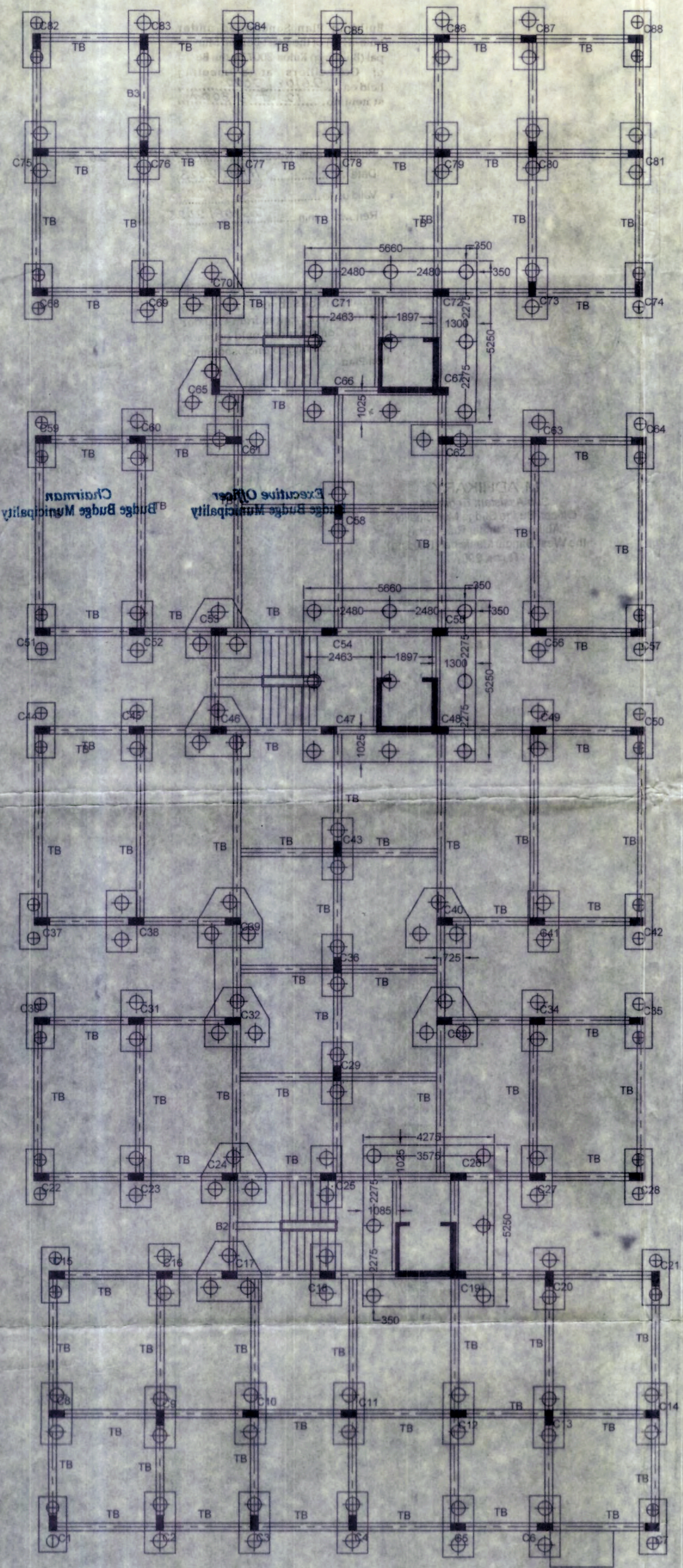
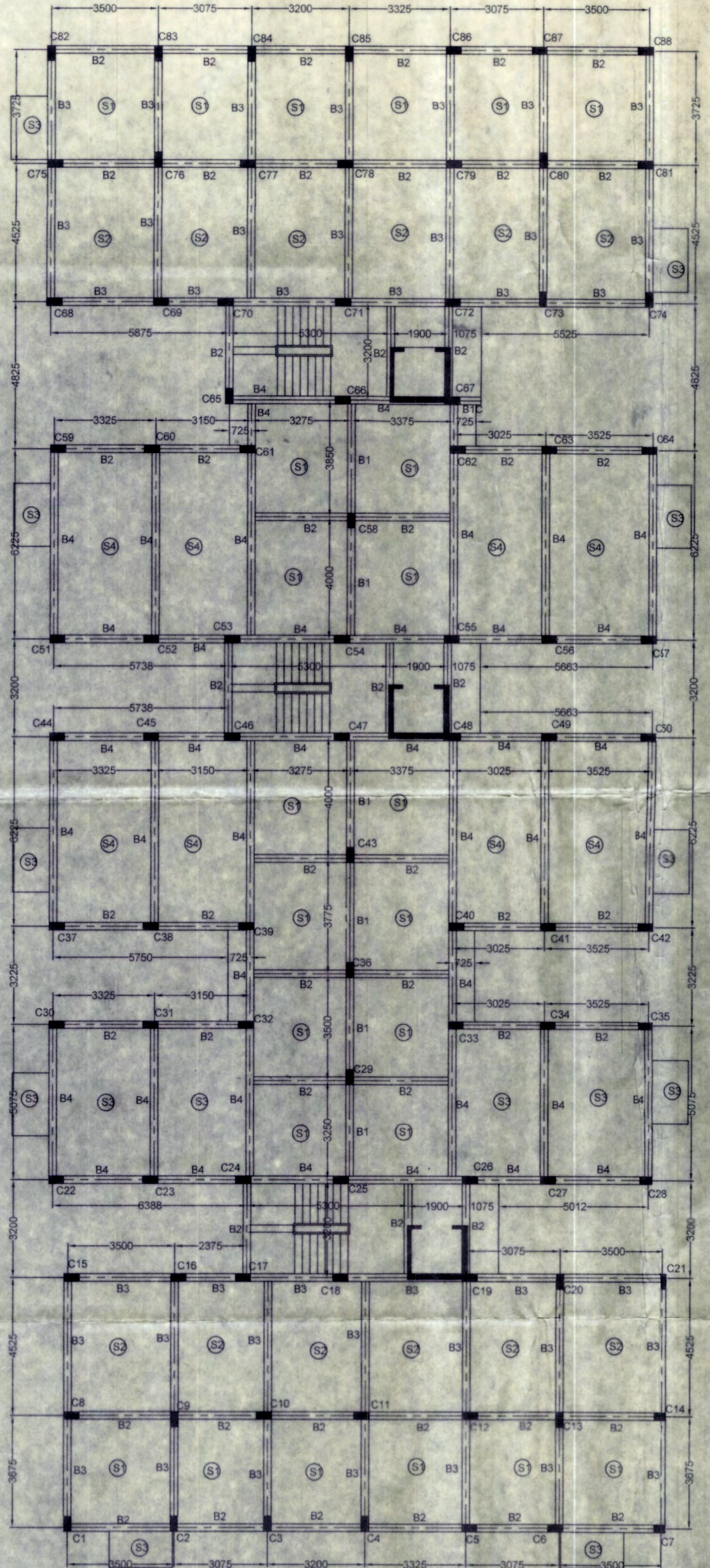


SANCTIONED



FOUNDATION LAY OUT PLAN BLOCK-C  
SCALE- 1:100



SLAB&BEAM LAY OUT PLAN BLOCK-C  
SCALE- 1:100

### SCHEDULE OF R.C.C. FOUNDATION

PILE CAP MKD	COL MKD	SIZE OF FOOTING	NO OF PILE	DIA OF PILE	REINFORCEMENT			
					TOP LAYER		BOTTOM LAYER	
					SHT. SPAN	LONG SPAN	SHT. SPAN	LONG SPAN
P1	C1,C7,C15,C21,C22,C28,C30,C36,C37,C42,C44,C57,C59,C64,C68,C69,C74,C82,C88	900X1800	2	400Ø	12 T @125C/C	12 T @125C/C	12 T @125C/C	12 T @125C/C
P2	C17,C24,C32,C33,C39,C40,C46,C95,C70	AS PER DRG.	3	450Ø	16 T @125C/C	16 T @125C/C	16 T @125C/C	16 T @125C/C
P3	(C19+C26+LIFT)	4275X5250	6	450Ø	16 T @125C/C	16 T @125C/C	16 T @125C/C	16 T @125C/C
P3	(C47+C48+54+55+LIFT) (C56+C67+71+72+LIFT)	4660X5250	6	450Ø	16 T @125C/C	16 T @125C/C	16 T @125C/C	16 T @125C/C
P4	ALL OTHERS	2000X1000	2	450Ø	12 T @110C/C	12 T @110C/C	12 T @110C/C	12 T @110C/C

### SCHEDULE OF R.C.C. PILE

PILE MKD	REINFORCEMENT		DIA OF PILE	OUT OF PILE	LENGTH OF PILE
	REINFORCEMENT	STIRRUP			
ALL PILE	8-16T	8 T @115 C/C (END) 8 T @150 C/C (MID)	400Ø, 450Ø	1.5M	22M

### BEAM SCHEDULE

BEAM MKD.	SECTION	REINF.(SUPPORT)		REINF.(SPAN)		STIRRUP
		TOP	BOTTOM	TOP	BOTTOM	
B1	250X350	3-12 2-16	3-16	3-12 5-16	2-16	2L-8T@150 c/c
B2	250X300	2-12 2-16	2-16	2-12 2-16	2-16	2L-8T@150 c/c
B3	250X400	3-16 2-16	3-16	3-16 3-16	2-16	2L-8T@150 c/c
B4	250X550	3-16 3-16	3-16	3-16 3-16	3-16	2L-8T@150 c/c
B1c	250X350	5-16	2-16	5-16	2-16	2L-8T@150 c/c
ALL TIE BEAMS	250X400	5-16	3-16	3-16	5-16	2L-8T@175 c/c

### COLUMN SCHEDULE

COLUMN MKD.	SECTION	REINFORCEMENT	TIE
C1,C7,C15,C21,C22,C28,C30,C36,C37,C42,C44,C57,C59,C64,C68,C69,C74,C82,C88	250X400	8-16T	2L-8T@150 c/c
C17,C24,C32,C33,C39,C40,C46,C95	250X550	8-20 T	2L-8T@125 c/c
C70,C19+C26,C47+C48+54+55,C56+C67+71+72	250X500	10-16 T	4L-8T@125 c/c

### SLAB SCHEDULE

SLAB MKD.	THICKNESS	REINFORCEMENT		PROVIDE 8T 150 c/c AT EDGES AS EXTRA TOP
		MAIN REINF.	DISTRIBUTION	
S1	110 MM	8 T @ 125 c/c	8 T 150 c/c	PROVIDE 8T 150 c/c AT EDGES AS EXTRA TOP
S2	115 MM	8 T @ 125 c/c	8 T 150 c/c	PROVIDE 8T 150 c/c AT EDGES AS EXTRA TOP
S3	125 MM	8 T @ 125 c/c	8 T 125 c/c	PROVIDE 8T 150 c/c AT EDGES AS EXTRA TOP
S4	150 MM	10 T @ 125 c/c	10 T 125 c/c	PROVIDE 8T 150 c/c AT EDGES AS EXTRA TOP

### NOTES & SPECIFICATIONS

- ALL DIMENSIONS ARE IN MM UNLESS OTHERWISE MENTIONED.
- GRADE OF CONCRETE M20 AND GRADE OF STEEL FE415
- CENTER LINE GIVEN HERE ARE BEAM CL ONLY IN CASE OF ANY DISCREPANCY IN DWG. REFER TO ARCHITECT
- FOUNDATION - 1) BOTTOM COVER-50MM SHOULD BE MAINTAINED
- 2) SIDE COVER-75MM
- 3) COLUMN- CLEAR COVER -40MM
- 4) BEAM- 1)TOP-25MM 2)BOTTOM-25MM 3)SIDE-15MM
- 5) SLAB - 1)BOTTOM-15MM 2)SIDE-15MM
- EXTRA TOP REINFORCEMENT - 0.25X/C DISTANCE OF DISCONTI SUPT
- EXTRA TOP REINFORCEMENT - 0.25X/C DISTANCE OF CONTI SUPT
- EXTRA BOTTOM REINFORCEMENT - 0.10X/C DISTANCE OF DISCONTI SUPT
- EXTRA BOTTOM REINFORCEMENT - 0.15X/C DISTANCE OF CONT. SUPT
- SLAB: 1)TOP CURTAILMENT OF BAR - 0.10X/C DISTANCE OF DISCONTINUOUS EDGE
- 2)TOP CURTAILMENT OF BAR - 0.15X/C DISTANCE OF CONTINUOUS EDGE
- 3)BOTTOM CURTAILMENT OF BAR - 0.15X/C DISTANCE OF DISCONTI EDGE
- 4)BOTTOM CURTAILMENT OF BAR - 0.25X/C DISTANCE OF CONTI EDGE
- 5) EXTRA TOP CURTAILMENT OF BAR - 0.30X/C DISTANCE OF CONTI. EDGE
- BOND LAP LENGTH FOR REINFORCEMENT-60D. PILE DEPTH SHOULD BE MAINTAINED -22M

Dipankar Sadhukhan  
Dipankar Sadhukhan  
Structural Engineer-I  
Budge Budge Municipality  
Reg. No.: BBM/BD/12

SIGN. OF STRUCTURAL ENGINEER

Suman Pramanick  
SOU MEN PRAMANICK  
LBS Class-II  
Budge Budge Municipality  
Reg. No. 11  
SIGN. OF L.B.S

Bolan Vyapaar Pvt. Ltd.  
Satyendra Kumar  
Director

SIGN. OF OWNER

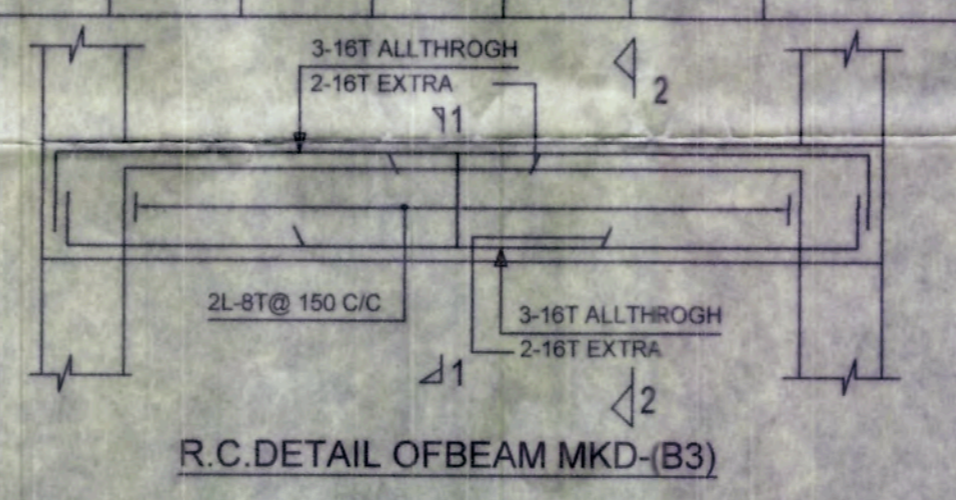
S. S. PRADIP REDDY  
REGISTERED ARCHITECT  
Regd. No. CA/2001/28517

SIGN. OF GEO-TECH

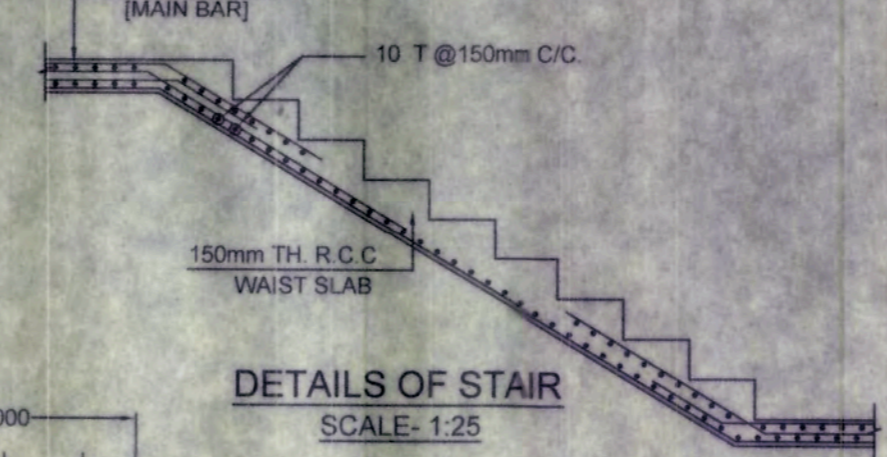
RESIDENTIAL APARTMENT BUILDING COMPLEX OF M/S BOFAN VYAPAAR PRIVATE LIMITED AT HOLDING NO. 74/B, ADHAR DAS ROAD, AT MOUZA KALINAGAR BADE, J.L. NO. 07, R.S. DAG NO. 830, 832, 833, 834, 835, 836, 837, 838, 839, 840 & 841, L.R. DAG NO. 926, 930, 931, 932, 933, 934, 935, 936, 937, 938 & 941, UNDER L.R. KHATIAN NO. 2347, P.S. BUDGE BUDGE, DIST. SOUTH 24 PARGANAS, UNDER BUDGE BUDGE MUNICIPALITY, WARD NO.14.

BLOCK C: STRUCTURAL DRAWINGS

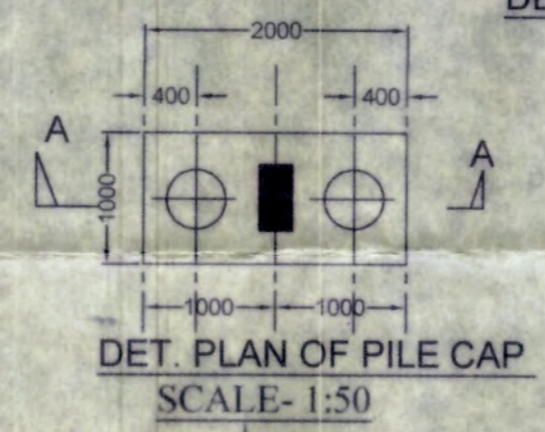
DWG. NO. - 19 S15 16  
DATE - 3/7/21  
S.D - MM  
DRAWN BY - S. ROY



R.C. DETAIL OF BEAM MKD-(B3)



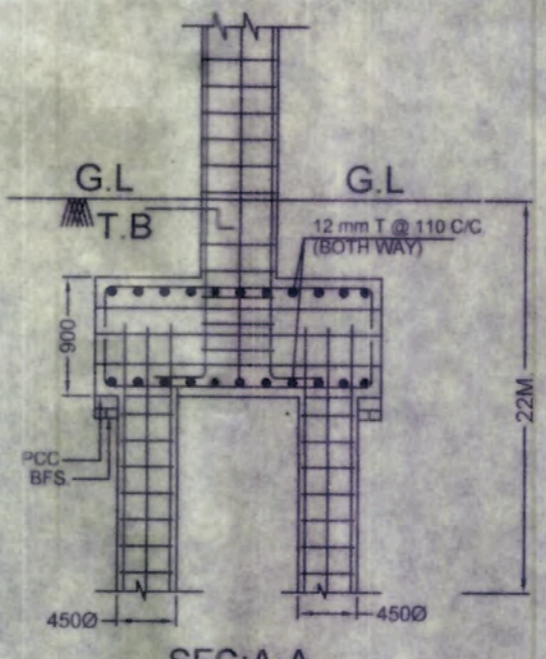
DETAILS OF STAIR  
SCALE- 1:25



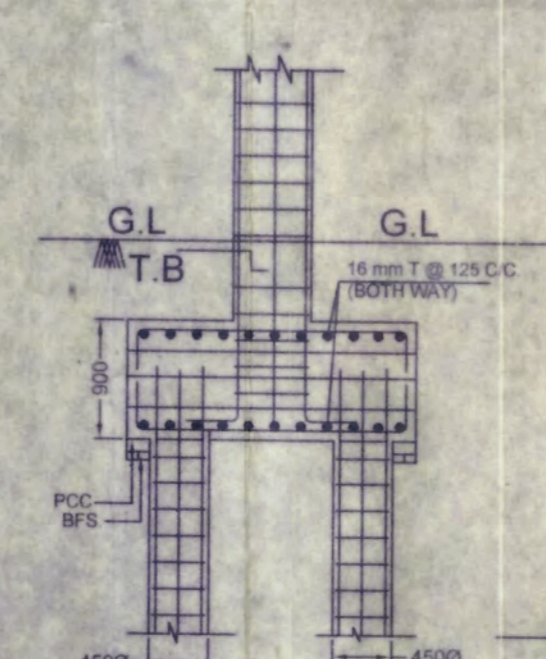
DET. PLAN OF PILE CAP  
SCALE- 1:50



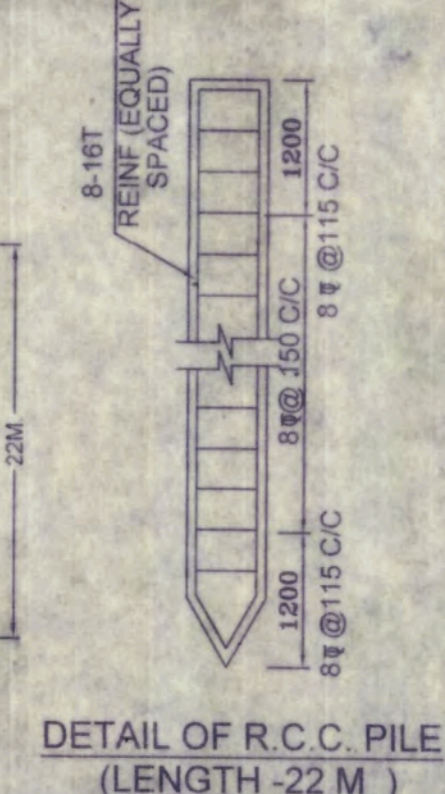
DET. PLAN OF PILE CAP  
SCALE- 1:50



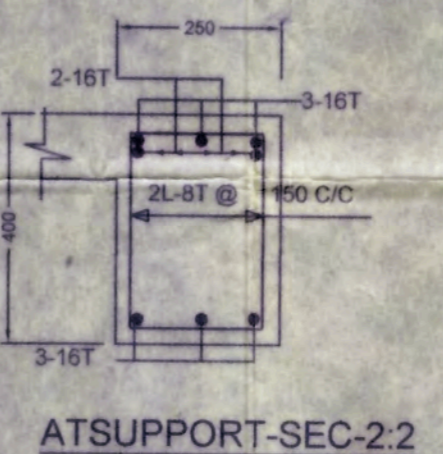
SEC-A-A  
SCALE- 1:50



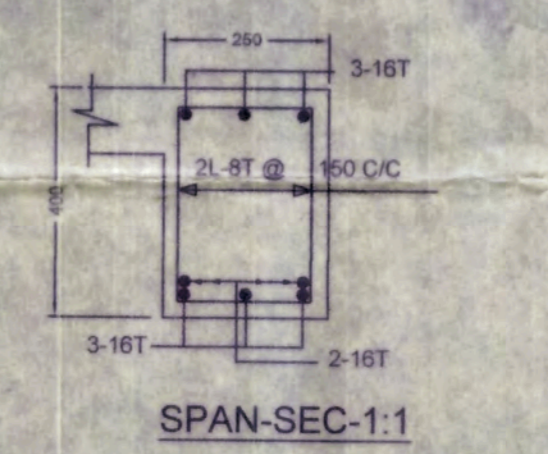
SEC-B-B  
SCALE- 1:50



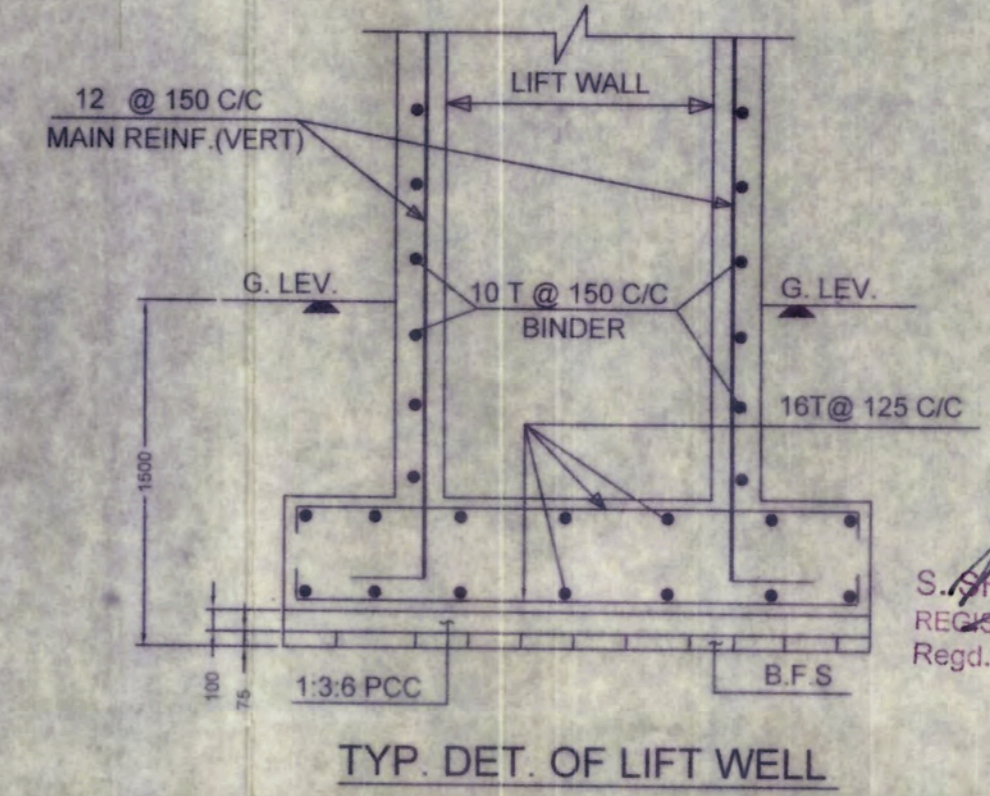
DETAIL OF R.C.C. PILE  
(LENGTH -22 M)



ATSUPPORT-SEC-2-2



SPAN-SEC-1-1



TYP. DET. OF LIFT WELL



**SANCTIONED**

Regd. No. 31  
Date 15/11/2021  
Name Sr. Satyendra Gupta Director of M/s Bafan Nyapari Pvt. Ltd.  
Address 74/B, Ashok Das Road,  
Ward No. 14

Building Plan Sanctioned under Rule-21 (1) of the West Bengal Municipal (Building) Rules-2007 by the Board of Councillors at a meeting held on 26/08/2022 at item no. 12.01.2022

Building Permit No. 23/EP/PWD/2022-2023  
Date 11/01/2023  
Valid up to 25/08/2025  
Renewal within 25/08/2025



Intimation to be Submitted Regarding Completion of work in from-G under Rule-33 Construction would be made strictly According to enclosed Sanction Plan

*M. Adhikary*  
**M. ADHIKARY**  
Sub Assistant Engineer  
Officer, Budge Budge Municipality  
Authorized under Rule 26 of  
the West Bengal Municipal (Building)  
Rules, 2007

*S. Ghosh*  
**Executive Officer**  
Budge Budge Municipality

*S. Ghosh*  
**Chairman**  
Budge Budge Municipality

Regd. No.: BMM/BD/23  
Structural Engineer-1  
Budge Budge Municipality

Regd. No.: BMM/BD/23  
Budge Budge Municipality

Regd. No.: BMM/BD/23  
Budge Budge Municipality